

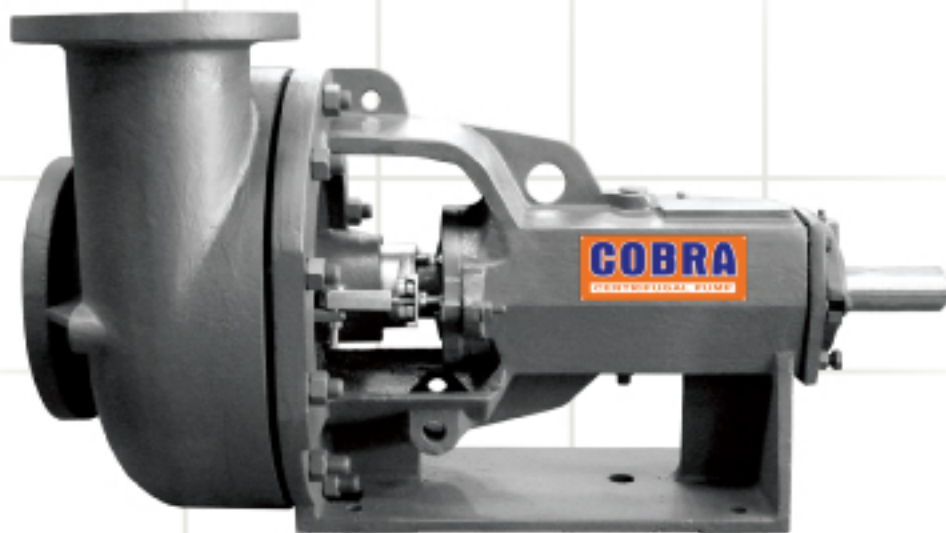
# CENTRIFUGAL PUMPS by



**250 • 178 • 118 Series**



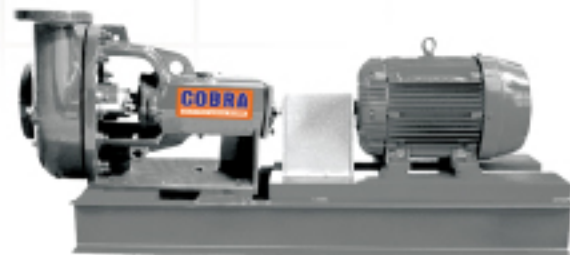
*Spare Parts*



*One Tough Pump!*



*Vertical*



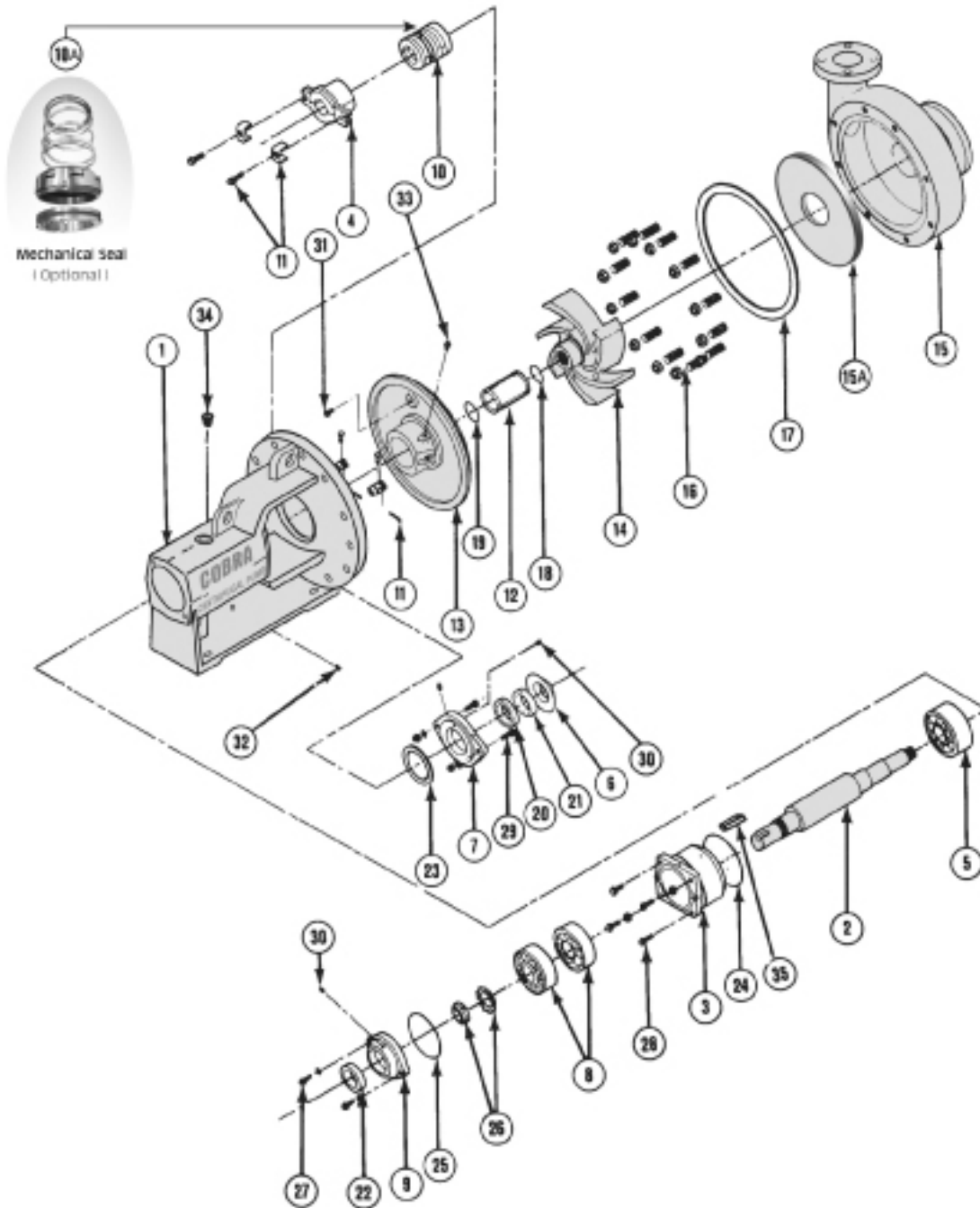
*Horizontal*

**Custom Skid Packages!**



# 250 SERIES Parts Diagram

All parts are completely interchangeable with Mission<sup>®</sup>, MCM<sup>®</sup> & Baker<sup>®</sup>



## 250 COMPLETE PUMP PART NUMBERS

Approx. Weight Lbs.	PUMP SIZE	PART #	MATERIAL	ROTATION	MAX. IMPELLER
430	2x3x13	CP25233DRXXX	Ductile Iron	RH	13"
440	3x4x13	CP25343DRXXX	Ductile Iron	RH	13"
490	4x5x14	CP25454DRXXX	Ductile Iron	RH	14"
520	5x6x11	CP25561DRXXX	Ductile Iron	RH	11"
550	5x6x14	CP25564DRXXX	Ductile Iron	RH	14"
610	6x8x11	CP25681DRXXX	Ductile Iron	RH	11"
630	6x8x14	CP25684DRXXX	Ductile Iron	RH	14"

*Note: Add / MS to above model numbers for pumps with Mechanical Seal.*

**COBRA...**  
**One Tough Pump!**  
 Built with advanced Technology

# 250 Cross Reference Chart



All parts are completely interchangeable with Mission<sup>®</sup>, MCM<sup>®</sup> & Baker<sup>®</sup>

Item No.	Description	App. Wt. Lbs.	Qty. Req.	COBRA	Mission	MCM	Baker
1	250 Pedestal	165.00	1	CP25PED	20618-12-1	P25PED	052136610
2	250 Shaft	38.00	1	CP25SHFT	20612-02-33	P25SHFT	052133900
3	250 Outboard Bearing Housing	9.50	1	CP25OBBH	20624-01-01	P25OBBH	052136610
4	250 Packing Gland	2.50	1	CP25PG	20622A	P25PG	052136500
5	250 Inboard Bearing	8.50	1	CP25IBBRG	20615-1	P25IBBRG	WVENT5313
6	250 Slinger Ring Water (Deflector)	0.75	1	CP25SRW	22210-1A	P25SRW	WWW003003
7	250 Inboard Bearing Cover	5.50	1	CP25IBBC	20626A	P25IBBC	052136710
8	250 Outboard Bearing	3.50	2	CP25OBBRG	20616-1	P25OBBRG	WVESK7311
9	250 Outboard Bearing Cover	3.50	1	CP25OBBC	20617A	P25OBBC	052136910
10	250 Graphite Packing	1.00	1	CP25PMSG	25014-04M-B	P25PMSG	052153500
	250 King Packing	1.00	1	CP25PMSK	25015-04M-BA	P25PMSK	052153400
	250 Teflon Packing	1.00	1	CP25PMST	250147-04M-D	P25PMST	
10A	250 Mechanical Seal	2.50	1	CP25MS/TT	H-22451-1A	P25MS/TT	WVBF9000
11	250 Gland Bolt Assembly	0.25	2	CP25GABA	B3701A	P25GABA	052137280
12	250 Shaft Sleeve, Ceramic	2.50	1	CP25SHSLVC	20613-21G-7A	P25SHSLVC	052144200
13	250 Stuffing Box F/Packing	42.00	1	CP25SB/PK	20614-01-30	P25SB/PK	052144910
	250 Stuffing Box F/Mech. Seal	42.00	1	CP25SB/MS	22223-01-30A	P25SB/MS	052136410
14	250-2x3x13 Impeller	21.00	1	CP25D233MRXXX	19204-XX-30	P25D233MRXXX	05213571X
	250-3x4x13 Impeller	25.00	1	CP25D343MRXXX	19206-XX-30	P25D343MRXXX	05213581X
	250-4x5 x14 Impeller	42.00	1	CP25D454MRXXX	19224-XX-30	P25D454MRXXX	05213591X
	250-5x6x11 Impeller	31.00	1	CP25D561MRXXX	19121-XX-30	P25D561MRXXX	05213601X
	250-5x6x14 Impeller	38.00	1	CP25D564MRXXX	19121-XX-30	P25D564MRXXX	05213621X
	250-6x8x11 Impeller	46.00	1	CP25D681MR XXX	19121-XX-30	P25D681MR XXX	05213601X
	250-6x8x14 Impeller	47.00	1	CP25D684MRXXX	19116-XX-30	P25D684MRXXX	05213631X
15	250-2x3x13 Housing Assembly	121.00	1	CP25D233H	19203-01-30A	P25D233H	052134000
	250-3x4x13 Housing Assembly	145.00	1	CP25D343H	19205-01-30A	P25D343H	052134100
	250-4x5x14 Housing Assembly	183.00	1	CP25D454H	19222-01-30A	P25D454H	052134200
	250-5x6x11 Housing Assembly	215.00	1	CP25D561H	19122-01-30A	P25D561H	052134300
	250-5x6x14 Housing Assembly	237.00	1	CP25D564H	19123-01-30A	P25D564H	052134400
	250-6x8x11 Housing Assembly	250.00	1	CP25D681H	19763-01-30A	P25D681H	052134500
	250-6x8x14 Housing Assembly	257.00	1	CP25D684H	19117-01-30A	P25D684H	052134600
15A	250-Casing Wear Pad-X (casing size)	30.00	1	CP25CWP-X (casing size)			
16	250 Housing Stud W/Nut	0.25	12	CP25HSN	3862-76/3932-61	P25HSN	N/A
17	250 Housing Gasket	0.50	1	CP25HG	10399-46-1	P25HG	052137100
17A	250 Fluid End Gasket Kit	0.50	-	CP25FEGK	10399-46-1A	P25FEGK	N/A
18	250 Impeller Seal – Oring	0.50	1	CP25IMS	19110-72	P25IMS	WWB032V35
19	250 Shaft Sleeve Seal – Oring	0.50	1	CP25SSS	7496-236	P25SSS	N/A
20A	250 Oil Seal Kit	0.50	-	CP25OSK	20619A	P25OSK	WWW003002
20	250 Inboard Bearing Oil Seal	0.50	1	CP25IBBOS	20619-01	P25IBBOS	WWW003001
21	250 Inboard Exclusion Seal	0.50	1	CP25IBBES	20620-01	P25IBBES	N/A
22	250 Outboard Bearing Oil Seal	0.50	1	CP25OBBOS	20619-02	P25OBBOS	N/A
23A	250 Power End Gasket Kit	1.00	-	CP25PEGK	H20625A	P25PEGK	052145500
23	250 Inboard Bearing Cover Gasket	0.50	1	CP25IBBCG	H20625	P25IBBCG	052137400
24	250 Outbd. Bearing Hsg. Seal–Oring	0.50	1	CP25OBBHS	H7496-253	P25OBBHS	WWB254H30
25	250 Outbd. Brg. Cover Seal–Oring	0.50	1	CP25OBBCS	7496-26	P25OBBCS	N/A
26	250 Bearing Lock Nut Kit	1.00	1	CP25BLNK	H6123-4A	P25BLNK	052145700

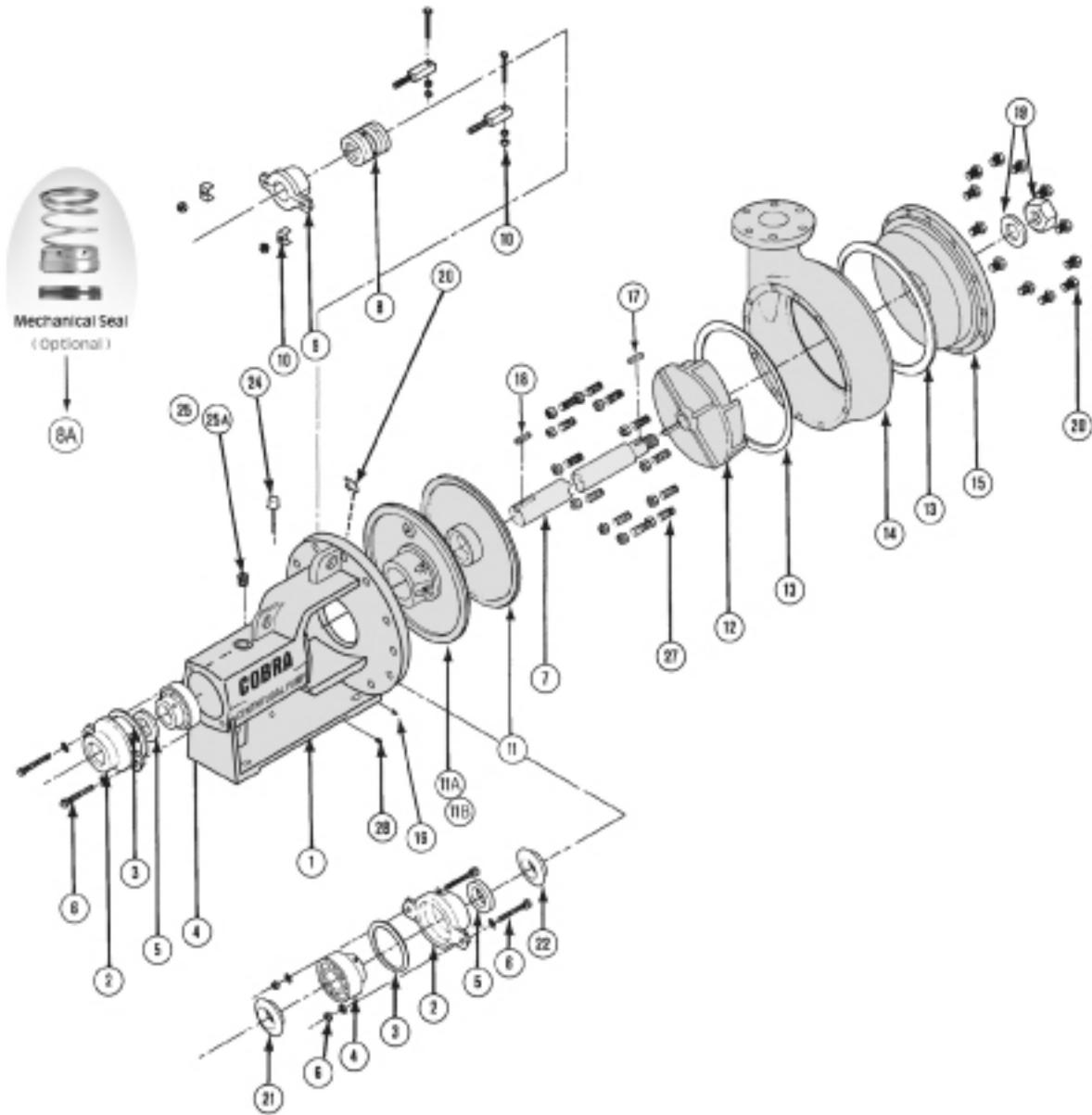
Note: XX or XXX Indicates Impeller Size.

*Experience the power of COBRA...*



# 178 SERIES Parts Diagram

All parts are completely interchangeable with Mission®, MCM®, & Baker®



## 178 COMPLETE PUMP PART NUMBERS

Approx. Weight Lbs.	PUMP SIZE & ROTATION	MAX. IMPELLER	PART NUMBER			
			316-SS	DUCTILE IRON	ALUMINUM BRONZE FITTED	ALUMINUM BRONZE
360	2x3R	13"	CP7823SRXXX	CP7823DRXXX	CP7823AFRXXX	CP7823ARXXX
360	2x3L	13"	CP7823SLXXX	CP7823DLXXX	CP7823AFLXXX	CP7823ALXXX
370	3x4R	13"	CP7834SRXXX	CP7834DRXXX	CP7834AFRXXX	CP7834ARXXX
370	3x4L	13"	CP7834SLXXX	CP7834DLXXX	CP7834AFLXXX	CP7834ALXXX
395	4x5R	12"	CP7845SRXXX	CP7845DRXXX	CP7845AFRXXX	CP7845ARXXX
395	4x5L	12"	CP7845SLXXX	CP7845DLXXX	CP7845AFLXXX	CP7845ALXXX
415	5x6R	12"	CP7856SRXXX	CP7856DRXXX	CP7856AFRXXX	CP7856ARXXX
415	5x6L	12"	CP7856SLXXX	CP7856DLXXX	CP7856AFLXXX	CP7856ALXXX
535	6x8R	13"	CP7868SRXXX	CP7868DRXXX	CP7868AFRXXX	CP7868ARXXX
535	6x8L	13"	CP7868SLXXX	CP7868DLXXX	CP7868AFLXXX	CP7868ALXXX

Note: 178 Series Pumps available in stainless steel on request. Add /MS for pumps with Mechanical Seals.

# 178 Cross Reference Chart



All parts are completely interchangeable with Mission<sup>®</sup>, MCM<sup>®</sup> & Baker<sup>®</sup>

Item No.	Description	App. Wt. Lbs.	Qty. Req.	COBRA	Mission <sup>®</sup>	MCM <sup>®</sup>	Baker <sup>®</sup>
1	178 Pedestal	210.00	1	CP78PED	L3785	P78PED	052146610
2	178 Bearing Cap	5.00	2	CP78BC	3790	P78BC	052146610
3	178 Bearing Cap Gasket	0.10	2	CP78BCG	10399-23-1	P78BCG	052146500
4	178 Bearing Assm.	4.00	2	CP78BA8	3944-3	P78BA8	WWESHDP06
5	178 Oil & Grease Seal	0.25	2	CP78DGS	3943-14	P78DGS	N/A
6	178 Bearing Cap Bolt Assm.	0.25	4	CP78BCBA	3861-1/3932-2	P78BCBA	WWG31H167
7	178 316-SS Shaft F/ 2x3-5x6	25.00	1	CP78SH316SS56	3786-4A	P78SH316SS56	N/A
	178 416-SS Shaft F/ 2x3-5x6	25.00	1	CP78SH416SS56	4932-21A	P78SH416SS56	052145280
	178 Ceramic Coated F/ 2x3-5X6	25.0	1	CP78SH416SC56	17238-21G-7A	P78SH416SC56	052151180
	178 316-SS Shaft F/ 6X8	26.00	1	CP78SH316SS68	14929-4A	P78SH316SS68	N/A
	178 416-SS Shaft F/ 6X8	26.00	1	CP78SH416SS68	14928-21A	P78SH416SS68	052156680
	178 Ceramic Coated Shaft F/ 6X8	26.00	1	CP78SH416SC68	24927-2167A	P78SH416SC68	052156580
8	178 Graphite Packing	0.50	1	CP78PMSG	8264-17W-CBA	P78PMSG	052151200
	178 King Packing	0.50	1	CP78PMSK	8474-17W-7A	P78PMSK	052167500
	178 Teflon Packing	0.50	1	CP78PMST	8264-17W-7A	P78PMST	N/A
8 A	178 Mechanical Seal	2.00	1	CP78MSXX			
9	178 Packing Gland	1.75	1	CP78PG	7406-13A	P78PG	052146700
10	178 Gland Adjusting Bolt Assm.	0.75	2	CP78GABA	A3701A	P78GABA	052137280
11	178 Wear Plate Ductile Iron	15.00	1	CP78WPD	3779-30	P78WPD	052151810
11 A	178 Stuffing Box F/Packing	20.00	1	CP78SPSB/PK	N/A	N/A	N/A
11 B	178 Stuffing Box F/Mech. Seal	20.00	1	CP78SPSE/MS	N/A	N/A	N/A
12	178-2X3 Ductile RH Impeller	23.00	1	CP78D23MRXXX	4610-XX-30	P78D23MRXXX	05214911X
	178-3X4 Ductile RH Impeller	25.00	1	CP78D34MRXXX	4605-XX-30	P78D34MRXXX	05214931X
	178-4X5 Ductile RH Impeller	32.00	1	CP78D45MRXXX	4705-XX-30	P78D45MRXXX	05214941X
	178-5X6 Ductile RH Impeller	35.00	1	CP78D56MRXXX	4710-XX-30	P78D56MRXXX	05214511X
	178-6X8 Ductile RH Impeller	54.00	1	CP78D68MRXXX	5142-XX-30	P78D68MRXXX	05214951X
13	178 Housing Gasket	0.10	2	CP78HG	10399-20-1	P78HG	052150500
14	178-2X3 Ductile Housing Only	62.00	1	CP78D23H	N/A	P78D23H	N/A
	178-3X4 Ductile Housing Only	68.00	1	CP78D34H	N/A	P78D34H	N/A
	178-4X5 Ductile Housing Only	88.00	1	CP78D45H	N/A	P78D45H	N/A
	178-5X6 Ductile Housing Only	106.00	1	CP78D56H	N/A	P78D56H	N/A
	178-6X8 Ductile Housing Only	206.00	1	CP78D68H	N/A	P78D68H	N/A
15	178-2X3 Ductile Face	62.00	1	CP78D23F	N/A	P78D23F	N/A
	178-3X4 Ductile Face	66.00	1	CP78D34F	N/A	P78D34F	N/A
	178-4X5 Ductile Face	70.00	1	CP78D45F	N/A	P78D45F	N/A
	178-5X6 Ductile Face	84.00	1	CP78D56F	N/A	P78D56F	N/A
	178-6X8 Ductile Face	85.00	1	CP78D68F	N/A	P78D68F	N/A
14 / 15	178-2X3 Housing Assy. RH Duct	132.00	1	CP78D23HFA	G4676-30A	P78D23HFA	052149200
	178-3X4 Housing Assy. RH Duct	140.00	1	CP78D34HFA	F4644-30A	P78D34HFA	052148900
	178-4X5 Housing Assy. RH Duct	156.00	1	CP78D45HFA	F4732-30A	P78D45HFA	052149900
	178-5X6 Housing Assy. RH Duct	190.00	1	CP78D56HFA	F4742-30A	P78D56HFA	052145300
	178-6X8 Housing Assy. RH Duct	290.00	1	CP78D68HFA	F5144-30A	P78D68HFA	052149600
21	178 Oil Slinger Ring	0.25	1	CP78SRO	N/A	P78SRO	
22	178 Water Slinger Ring	0.25	1	CP78SRW	C3787A	P78SRW	

### Impeller Size Code - (three digits)

1st & 2nd digit gives the diameter of impeller in whole inches,  
3rd digit gives fractions of an inch in 1/8 ths.

Note: XX or XXX Indicates Impeller Size.

Example: 11" = 110    11 1/2" = 114  
11 1/8" = 112    11 3/4" = 116

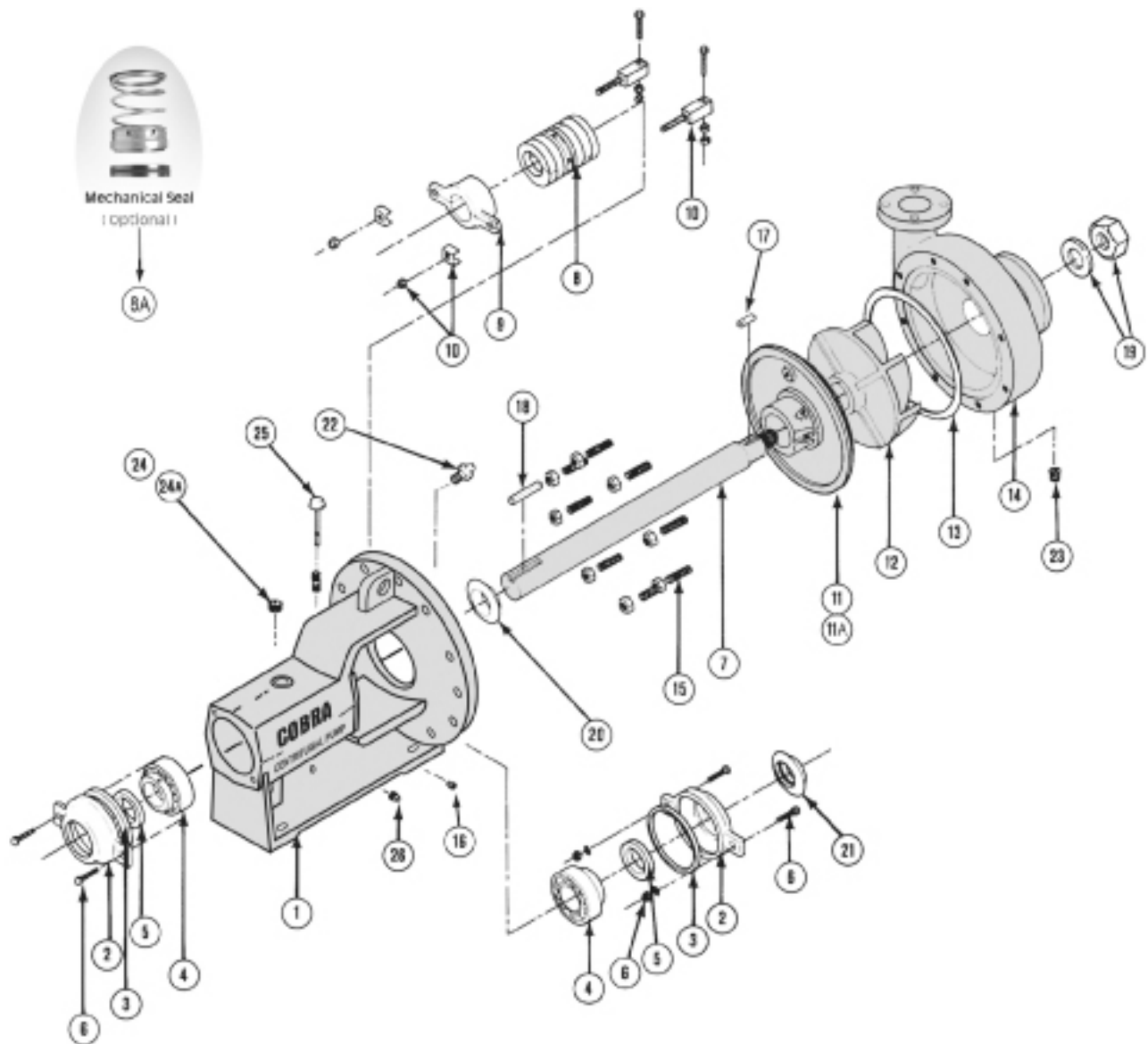
**Top Quality...Low Prices!**

**Tel: 713.541.5050 Fax: 713.541.2525**



# 118 SERIES Parts Diagram

All parts are completely interchangeable with Mission<sup>®</sup>, MCM<sup>®</sup> & Baker<sup>®</sup>



## 118 COMPLETE PUMP PART NUMBERS

Approx. Weight Lbs.	PUMP SIZE & ROTATION	MAX IMPELLER	PART NUMBER		
			DUCTILE IRON	ALUMINUM BRONZE	ALUMINUM BRONZE FITTED
161	1x1½ R	8½"	CP1811CRXXX	CP1811ARXXX	CP1811AFRXXX
161	1x1½ L	8½"	CP1811CLXXX	CP1811ALXXX	CP1811AFLXXX
159	1½x2 R	8½"	CP1812CRXXX	CP1812ARXXX	CP1812AFRXXX
159	1½x2 L	8½"	CP1812CLXXX	CP1812ALXXX	CP1812AFLXXX
165	2x3 R	8½"	CP1823CRXXX	CP1823ARXXX	CP1823AFRXXX
165	2x3 L	8½"	CP1823CLXXX	CP1823ALXXX	CP1823AFLXXX
191	3x4 R	8½"	CP1834CRXXX	CP1834ARXXX	CP1834AFRXXX

Note: 118 Series Pumps available in stainless steel on request. Add /MS for pumps with Mechanical Seals.

**Cobra Pumps!**

- *Sturdy*
- *Reliable*
- *Economical*

# 118 Cross Reference Chart



All parts are completely interchangeable with Mission<sup>®</sup>, MCM<sup>®</sup>, & Baker<sup>®</sup>.

Item No.	Description	App. Wt. Lbs.	Qty Req	COBRA	Mission*	MCM*	Baker*
1	118 Pedestal	87.00	1	CP18PED	E3768	P18PED	052170210
2	118 Bearing Cap	2.50	2	CP18BC	3773A	P18BC	052148010
3	118 Bearing Cap Gasket	0.05	2	CP18BCG	10399-21-1	P18BCG	052170800
4	118 Bearing Assm.	1.50	2	CP18BA	3944-01	P18BA	WWESH0618
5	118 Oil & Grease Seal	0.15	2	CP18OGS	3943-12	P18OGS	N/A
6	118 Bearing Cap Bolt Assm.	0.15	4	CP18BCBA	3861-1/3932-2	P18BCBA	WWJ11D800 / WWG31D287
7	118 316-SS Shaft	6.00	1	CP18SH316SS	3769-4A	P18SH316SS	N/A
	118 416-SS Shaft	6.00	1	CP18SH416SS	3769-21A	P18SH416SS	052149780
	118 Ceramic Coated 416-SS Shaft	6.00	1	CP18SH416SC	17361-21G-7A	P18SH416SC	N/A
8	118 Graphite Packing	0.50	1	CP18PMSG	25014-01S-B	P18PMSG	052172800
	118 King Packing	0.50	1	CP18PMSK	25015-01S-BA	P18PMSK	N/A
	118 Teflon Packing	0.50	1	CP18PMST	25014-01S-D	P18PMST	N/A
8A	118 Mechanical Seal	2.50	1	CP18MSXX	03450602	P18MSXX	N/A
9	118 Packing Gland	1.50	1	CP18PG	8204-13A	P18PG	052150800
10	118 Gland Adjusting Bolt Assm.	0.50	2	CP18GABA	A3701A	P18GABA	052137280
11	118 Stuffing Box F/Packing	10.00	1	CP18SB / PK	N/A	N/A	052147910
11A	118 Stuffing Box F/Mech. Seal	10.00	1	CP18SB / MS	N/A	N/A	N/A
12	118-1X1.5 RH Cast Iron Impeller	7.50	1	CP18C11MRXXX	4571-XX-01	P18C11MRXXX	05215031X
	118-1.5X2 RH Cast Iron Impeller	8.00	1	CP18C12MRXXX	4571-XX-01	P18C12MRXXX	05215021X
	118-2X3 RH Cast Iron Impeller	8.50	1	CP18C23MRXXX	4574-XX-01	P18C23MRXXX	05214881X
	118-3X4 RH Cast Iron Impeller	10.00	1	CP18C34MRXXX	5710-XX-01	P18C34MRXXX	N/A
13	118 Housing Gasket	0.10	1	CP18HG	10399-19-1	P18HG	052172600
14	118-1X1.5 RH Housing Assm. C.I.	42.00	1	CP18C11HR	N/A	P18C11HR	N/A
	118-1.5X2 RH C.I. Housing Assm.	44.00	1	CP18C12HR	G4576-1A	P18C12HR	052150100
	118-2X3 RH C.I. Housing Assm.	54.00	1	CP18C23HR	F4672-1A	P18C23HR	052148400
	118-3X4 RH C.I. Housing Assm.	72.00	1	CP18C34HR	F5162-1A	P18C34HR	N/A
15	118 Housing Stud W/Nut	0.25	8	CP18HSN	11907-82/3932-1	P18HSN	N/A
16	118 Drip Bowl Drain Plug	0.25	2	CP18DBDP	8262-6	P18DBDP	WWWX00012
17	118 Impeller Key	0.10	1	CP18IK	4372-1-21	P18IK	WWW00A008
18	118 Coupling Key	0.25	1	CP18CK	4372-2-21	P18CK	WWW00A007
19	118 Shaft Lock Nut Assm.	0.25	1	CP18LNA	6209-7-4	P18LNA	WWJ51M800
20	118 Oil Slinger Ring	0.25	1	CP18SRO	N/A	P18SRO	N/A
21	118 Water Slinger Ring	0.25	1	CP18SRW	C3770A	P18SRW	N/A

NOTE: Above cross reference part numbers are to be used as a guide only.

Impeller size is indicated by XX or XXX.

## Impeller Size Code - (three digits)

### Translation:

1st & 2nd digit gives the diameter of impeller in whole inches,  
3rd digit gives fractions of an inch in 1/8ths.

<b>Example 1:</b>	8" =080	<b>Example 2:</b>	XX= impeller size in whole numbers
	13" =130		11" =110
	13 1/8" =132		11 1/8" =112
	13 1/2" =134		11 1/2" =114
	13 3/4" =136		11 3/4" =116

**Cobra Rig Products, Inc.** *A manufacturing Company*



Tel: 713.541.5050 • Fax: 713.541.2525